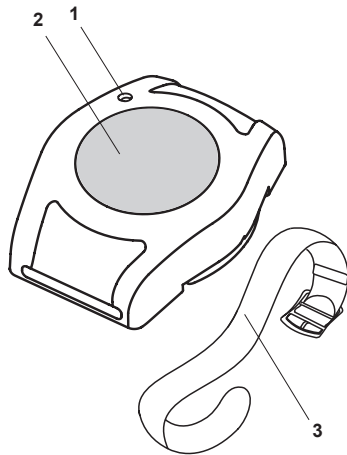


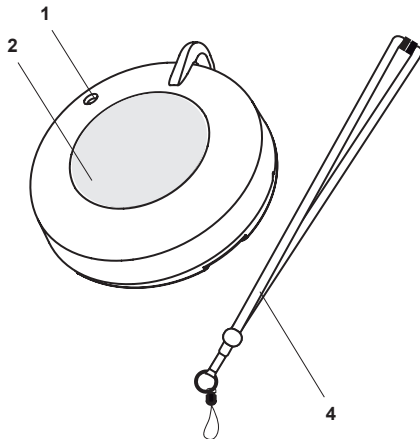
Models

RT26 Wristband Transmitter



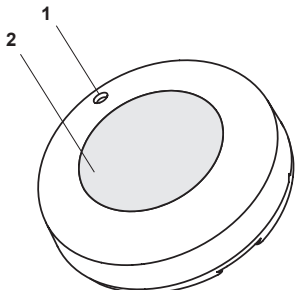
RT26E5001-12-23K red transmit button
RT26E5001A12-41K grey transmit button

RT27 Necklace Transmitter



RT27E5001-11-23K red transmit button
RT27E5001B11-23K grey transmit button

RT28 Push-Button Transmitter



RT28E5001-11-41K red transmit button
RT28E5001-11-23K grey transmit button

- 1 LED
- 2 transmit button TX
- 3 wrist strap
- 4 necklace

Technical details

Frequency:	868.30 MHz
Radiated power:	0.11 mW
Modulation:	FSK
Coding:	Easywave A, EasywavePlus
Power supply:	1x 3-V-battery, CR2032
Operating temperature:	-20 °C to +60 °C
Range:	free-field: approx. 150 m buildings: approx. 30 m
Degree of protection:	IP65
Dimensions:	
RT26:	38x46x14 mm (without wrist strap)
RT27:	Ø 41 mm x 13 mm (without necklace)
RT28:	Ø 38 mm x 13 mm
Weight:	
RT26:	15 g (without wrist strap)
RT27:	12 g (without necklace)
RT28:	12 g

Scope of delivery

Call Transmitter incl. battery, operating instruction
RT26: wrist strap,
RT27: necklace,
RT28: adhesive pad

Intended use

These Call Transmitters may only be used to operate Easywave radio controls.
The manufacturer shall not be liable for any damage caused by improper or non-intended use.

Safety advice

Do not make any unauthorized alterations or modifications to the transmitter!

Note also the operating instructions of the radio receivers!

- Keep the transmitter away from children!
- Have faulty devices checked by the manufacturer!
- Keep the batteries out of the reach of children!

Start-up

1. Program the transmission code into the radio receiver. For further informations, please read the operating instructions of the radio receiver.
2. Mount the appropriate accessories.

Operating the transmitter

Press the transmit button. The transmitter's LED lights up. The transmitter transmits as long as the button is pressed.

After max. 36 seconds, the transmission process is stopped automatically. In case of a weak battery the transmission process is stopped automatically after max. 5 seconds. Press the transmit button again to repeat the transmission process.

Battery check

The transmitter has a battery check function, which monitors the capacity of the battery cyclically. If the battery is weak, the LED flashes for about 3 seconds after releasing the transmitter button. At the end of the transmission process, an undervoltage telegram is transmitted.

In case of the transmitter button not being pressed for a long time, the battery check is executed at least once every 24 hours. If a weak capacity is detected an undervoltage telegram is sent automatically.

This telegram can be evaluated by adapted Easywave receivers. For further informations, read the operating instructions of the corresponding receiver.

Replacing the battery

We recommend having the battery replaced by your retailer.

You can find detailed instructions for exchanging the battery on our website.

Use the ACC-TOO-01-23P housing key to change the battery.

Trouble shooting

- If the LED does not light up at all: exchange the battery or make sure that the polarity of the battery is correct.
- If the LED flashes permanently during the transmission procedure: exchange the battery.
- If the radio receiver doesn't react: move closer to the radio receiver or re-transmit the transmission code to the radio receiver.

Disposal

Waste electrical products and batteries may not be disposed of with household waste!

Dispose the waste product via a collection point for electronic scrap or via your specialist dealer.

Dispose used batteries in a recycling bin for batteries.

Put the packaging material into the recycling bins for cardboard, paper and plastics.

Warranty

Within the statutory warranty period we undertake to rectify free of charge by repair or replacement any product defects arising from material or production faults.

Any unauthorized tampering with, or modifications to, the product shall render this warranty null and void.

Conformity

Hereby, ELDAT EaS GmbH declares that the radio equipment type RT26, RT27 and RT28 is in compliance with Directive 2014/53/EU.

The full text of the EU declaration of conformity is available at the following internet address: www.eldat.de

Service

If the device does not work properly despite proper handling or in case of damage, please contact the manufacturer or your retailer.

ELDAT EaS GmbH

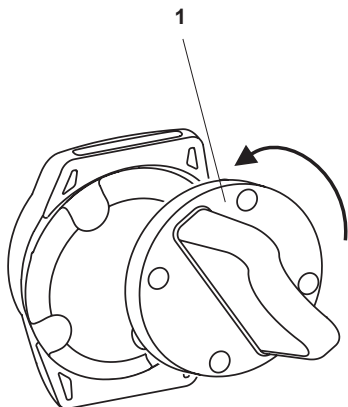
Schmiedestraße 2
15745 Wildau
Germany
Phone: + 49 (0) 33 75 / 90 37-310
Fax: + 49 (0) 33 75 / 90 37-90
Internet: www.eldat.de
E-Mail: info@eldat.de



CHANGING THE BATTERY

Opening the wristband transmitter

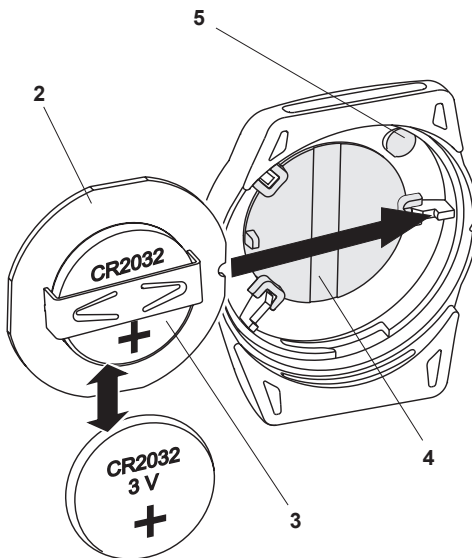
Remove the wrist strap (RT26) and open the housing cover using the housing key (1). Turn the housing key slightly anti-clockwise.



You can obtain the housing key as an accessory from your specialist dealer.
Sales number: **ACC-TOO-01-23P**

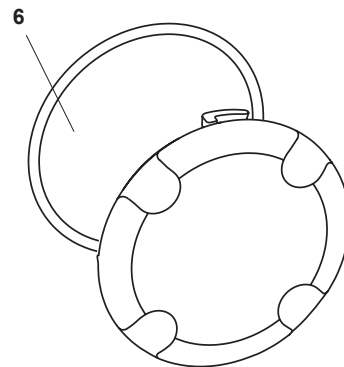
Replacing the battery

- Carefully remove the cover (2) from the housing. Replace the battery (3) and ensure that it is positioned correctly; the lettering must be visible. Use only 3V CR2032 batteries.
- Insert the small touch plate (4) aligned to the housing guides as per the image, and reattach the cover (2). The notch on the right-hand side of the board must be positioned on the bar below the light guide (5).



Closing the wristband transmitter

- If needed, place a new O-ring seal (6) around the bottom edge of the cover.
- Insert the hooks of the housing cover into the guides in the housing, and close the cover by turning it one turn clockwise. Ensure that the cover closes tight to the housing.
- Thread the wrist strap back into the housing (RT26).



You can obtain the O-ring seal as an accessory from your specialist dealer.

Sales number:

ACC-SEA-01-00P (1 unit)

ACC-SEA-01-00P10 (10 units)

ACC-SEA-01-00P100 (100 units)



Ensure correct polarity when inserting the battery!

Batteries may not be disposed of with household waste!

Keep batteries out of reach of children.