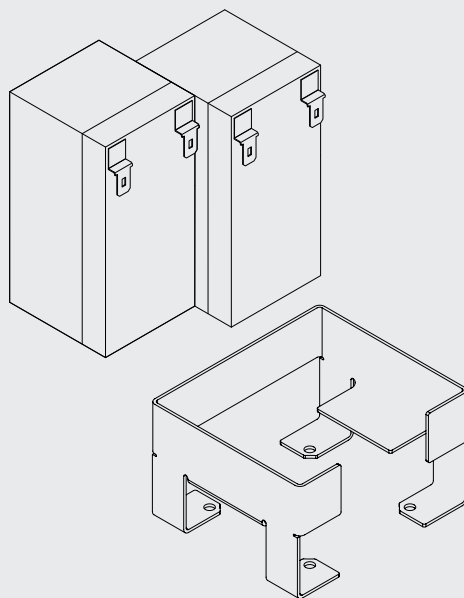


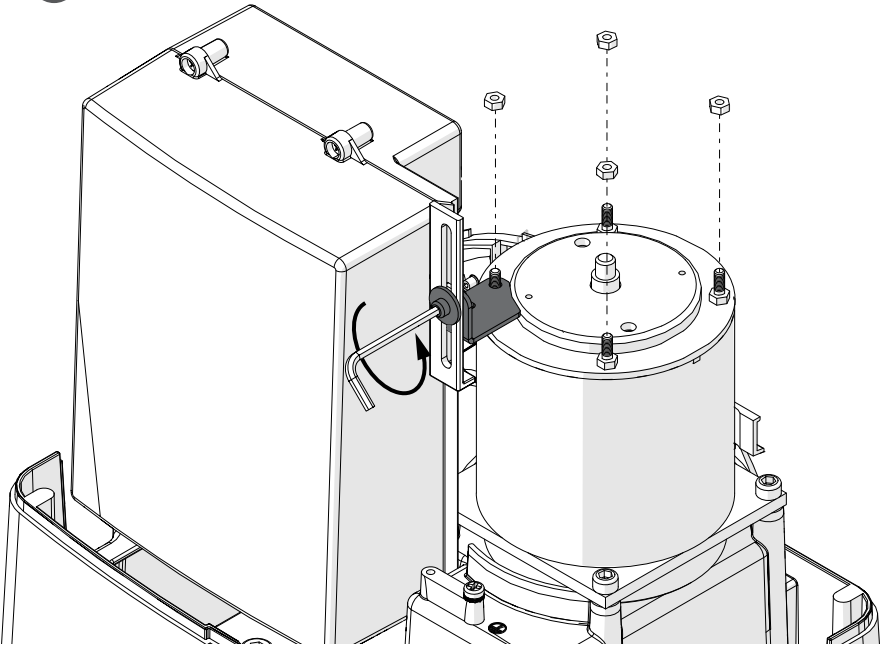
# BULL1524.CB



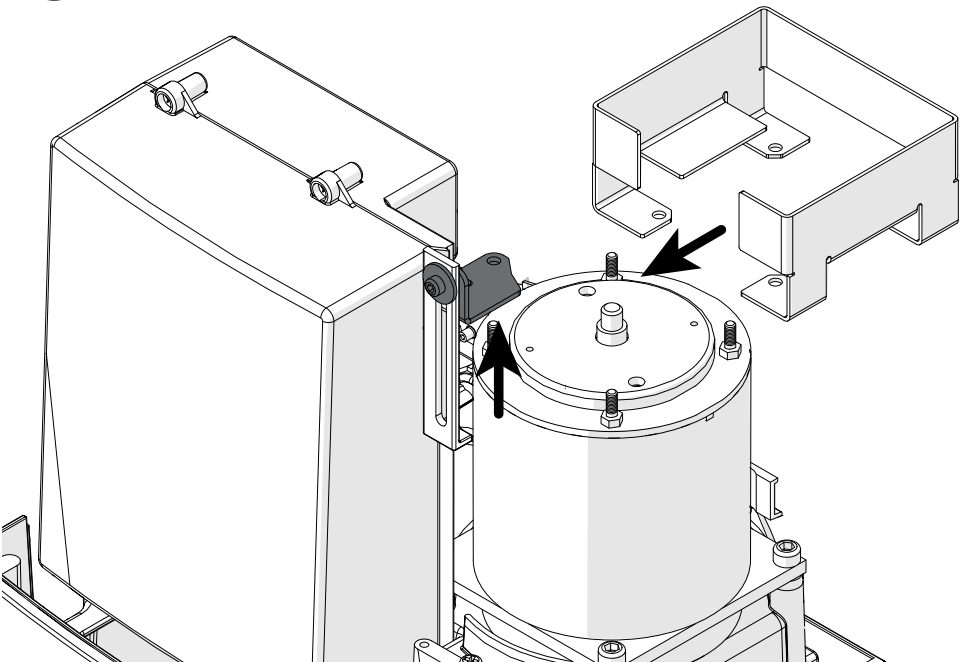
**BENINCA**<sup>®</sup>  
TECHNOLOGY TO OPEN



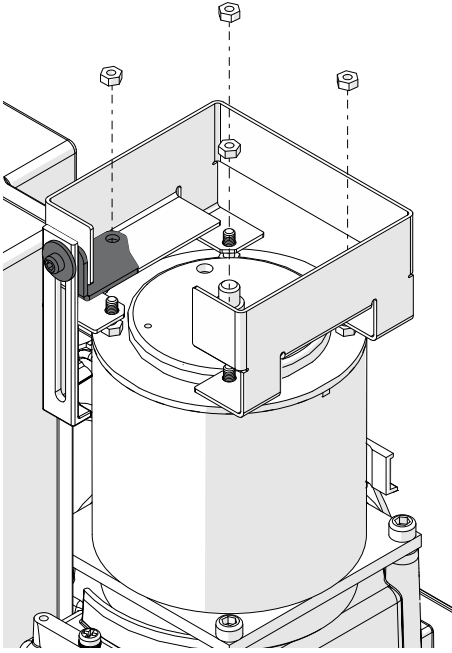
1



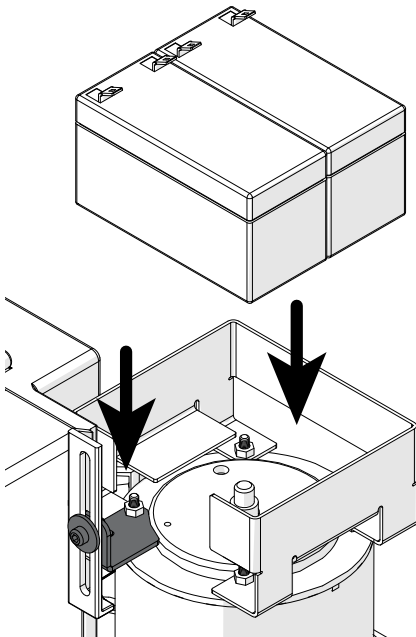
2



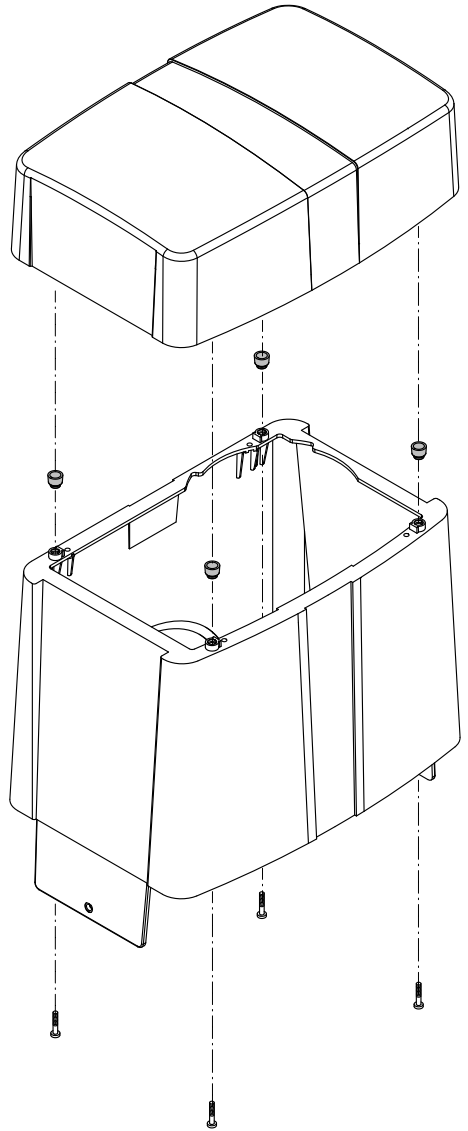
3



4



5



**BENINCA<sup>®</sup>**

**AUTOMATISMI BENINCA** SpA - Via Capitello, 45 - 36066 Sandrigo (VI) Tel. 0444 751030 r.a. - Fax 0444 759728

---